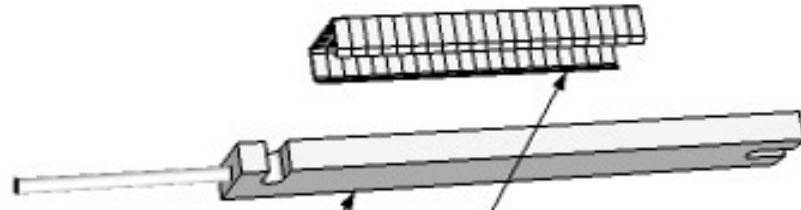
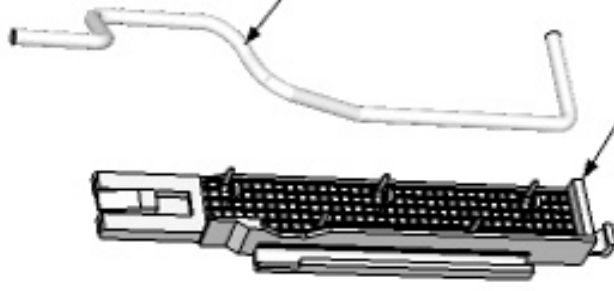


Lid blocks light, and can hold down screen from floating up in deep water levels

Top Plate which holds screen, shades light, and guides water down onto screen

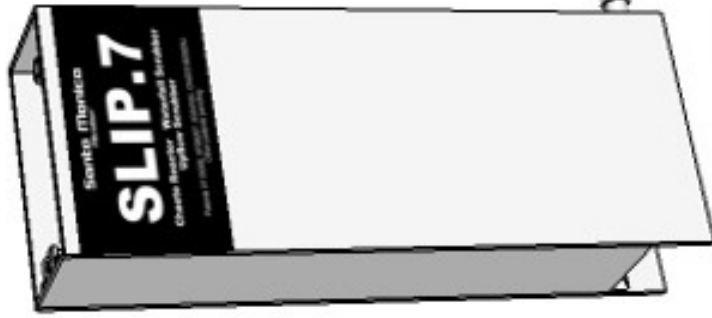


Shade for light



Screen with tubing holder and chaeto spikes; can be rotated for hi/low light

Air tubing for screen



Bottom water inlet barb



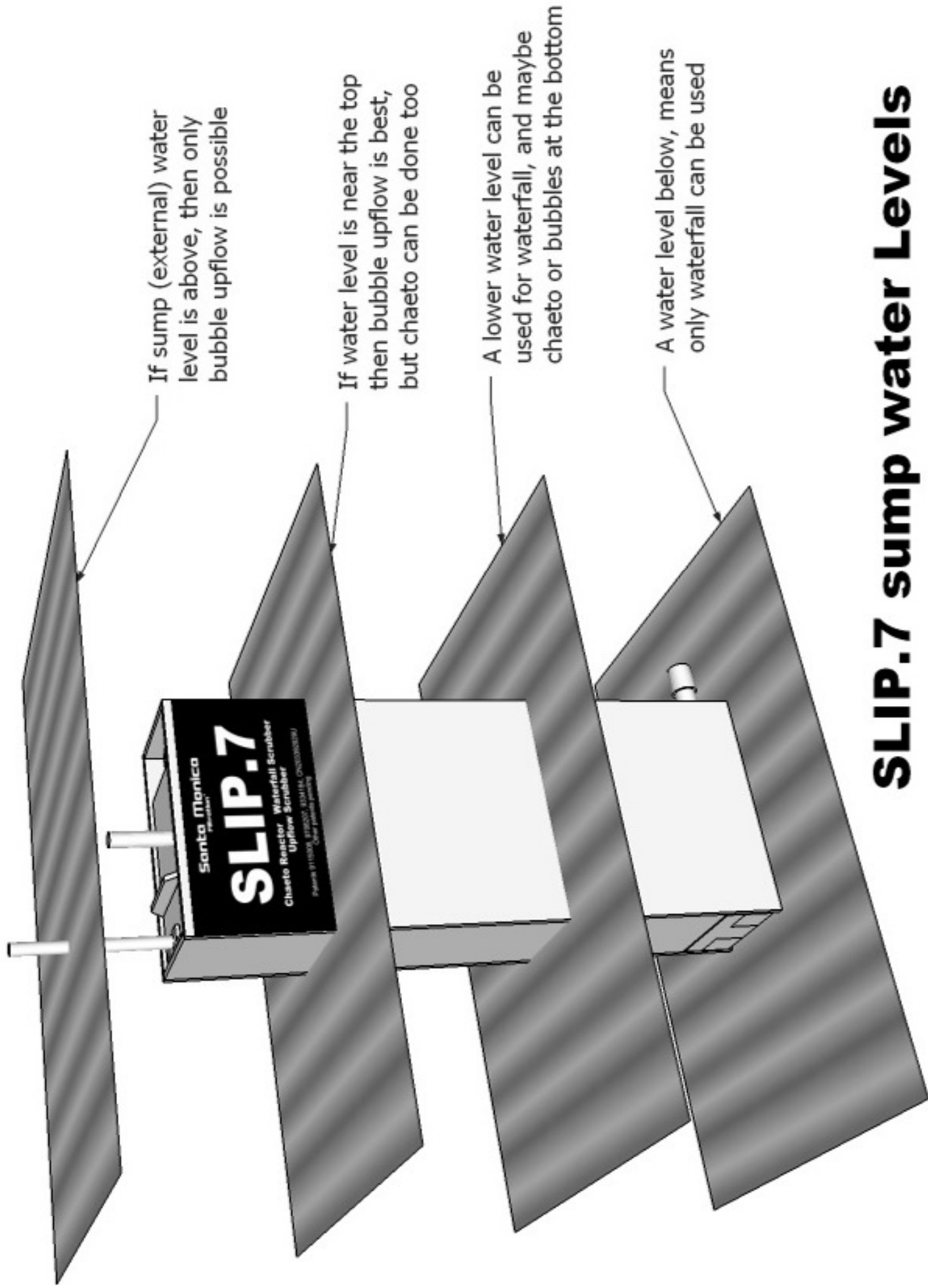
Bottom plate which holds tubing and legs, and blocks light

Air tubing for bottom plate

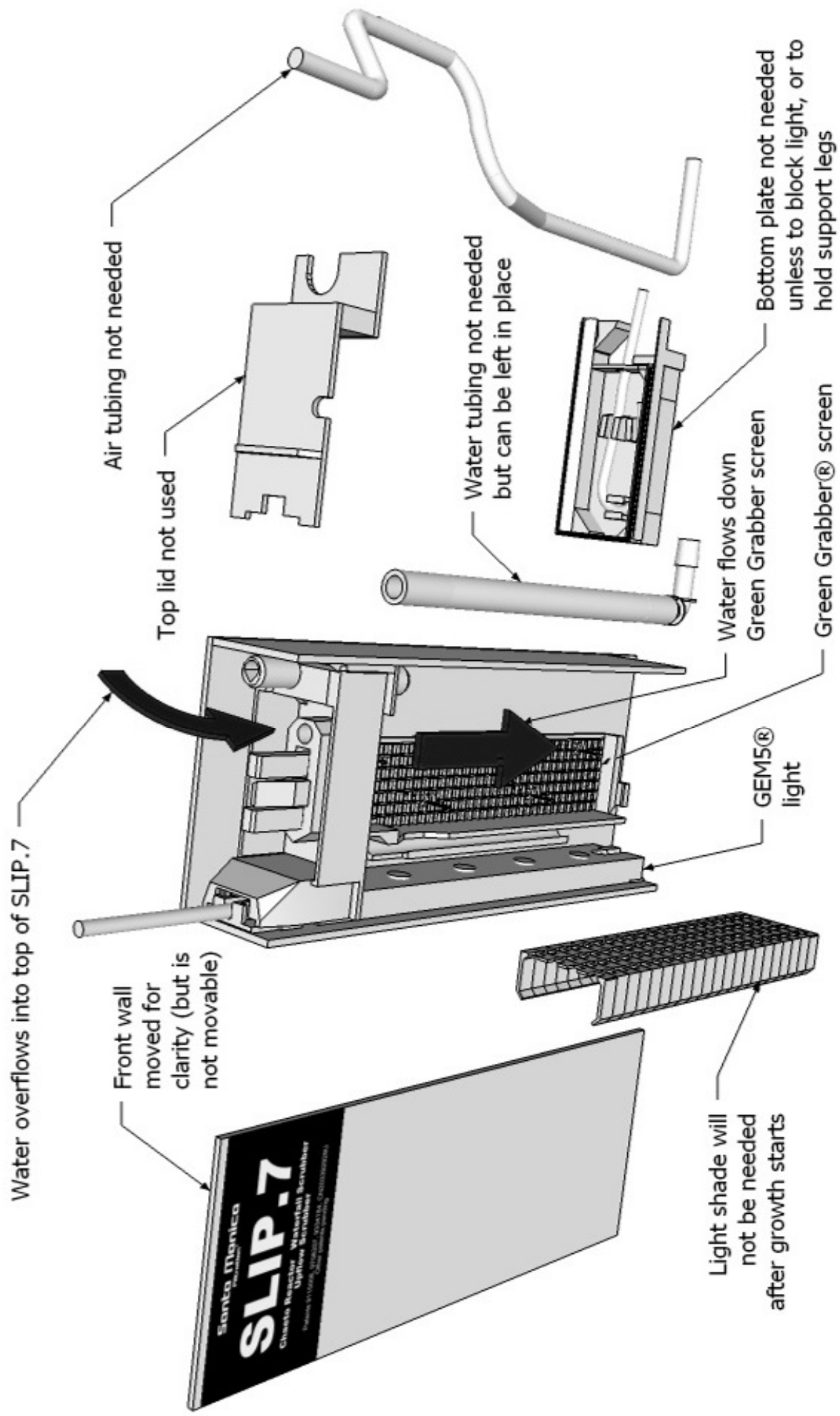


Legs if needed to raise higher

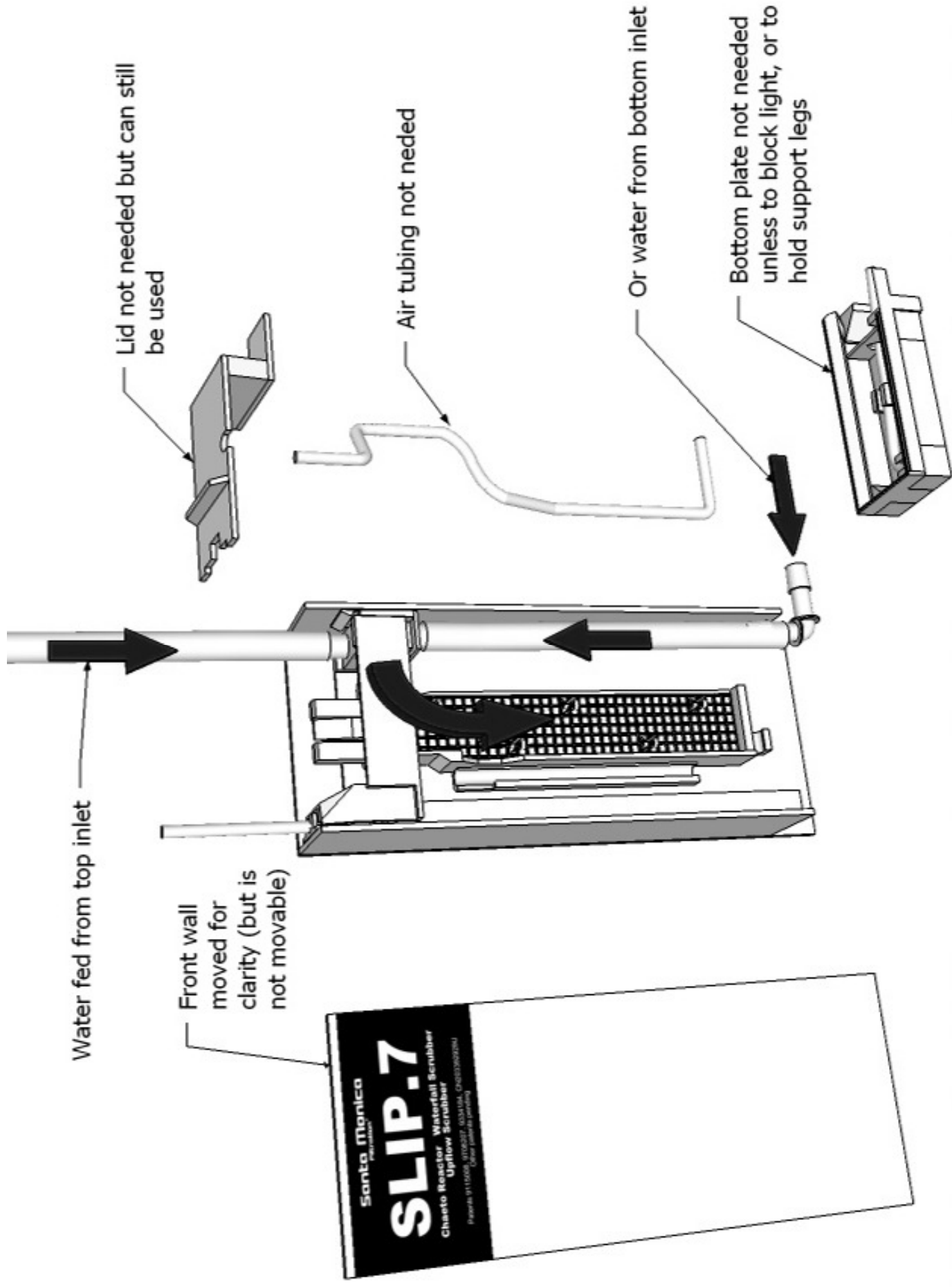




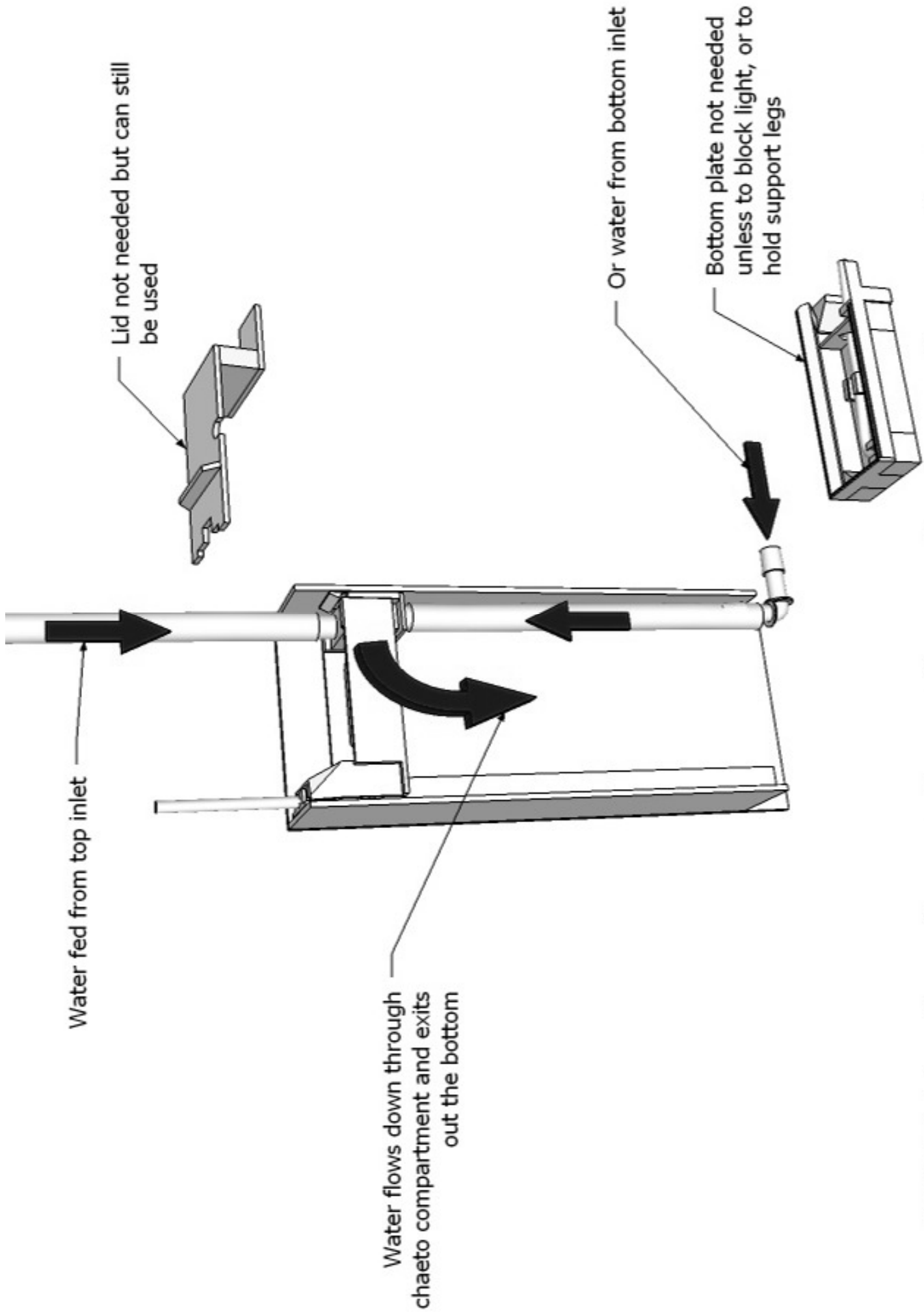
SLIP.7 sump water Levels



SLIP.7 overflow fed (no pumps needed)



SLIP.7 waterfall can be fed from top or bottom tubing



SLIP.7 chaeto-only setup, does not need screen

Air is pumped into tubing, then goes to bottom of screen

Front wall moved for clarity (but is not movable)

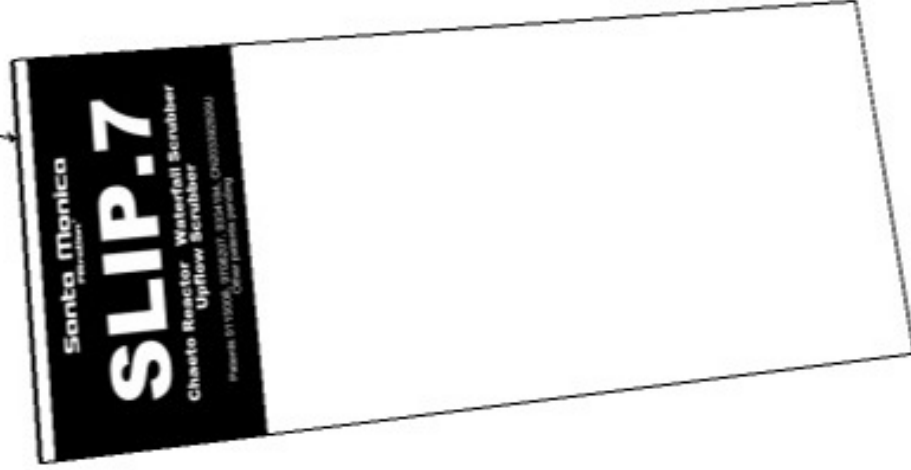
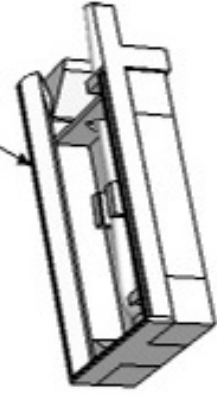
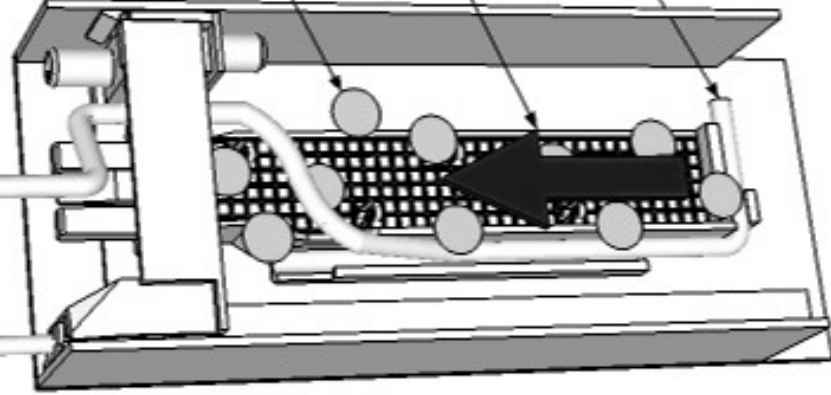
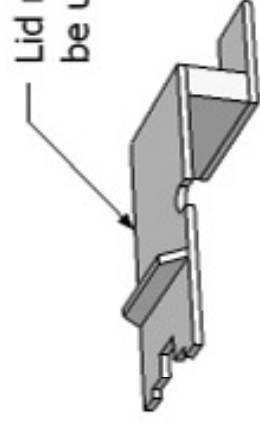
Lid not needed but can still be used

Bubbles

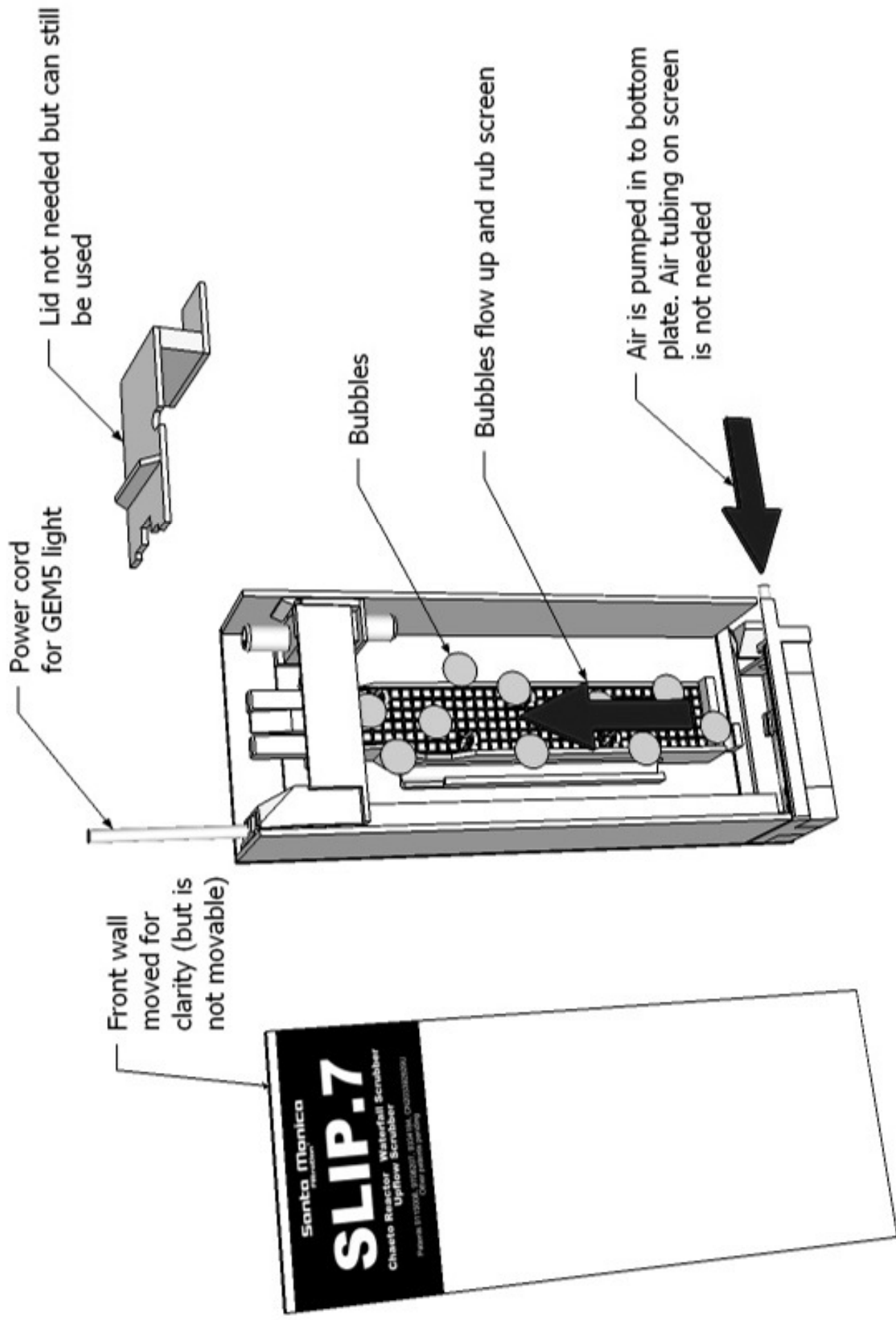
Bubbles flow up and rub screen

Air tubing at bottom of screen has outlets for bubbles to come out

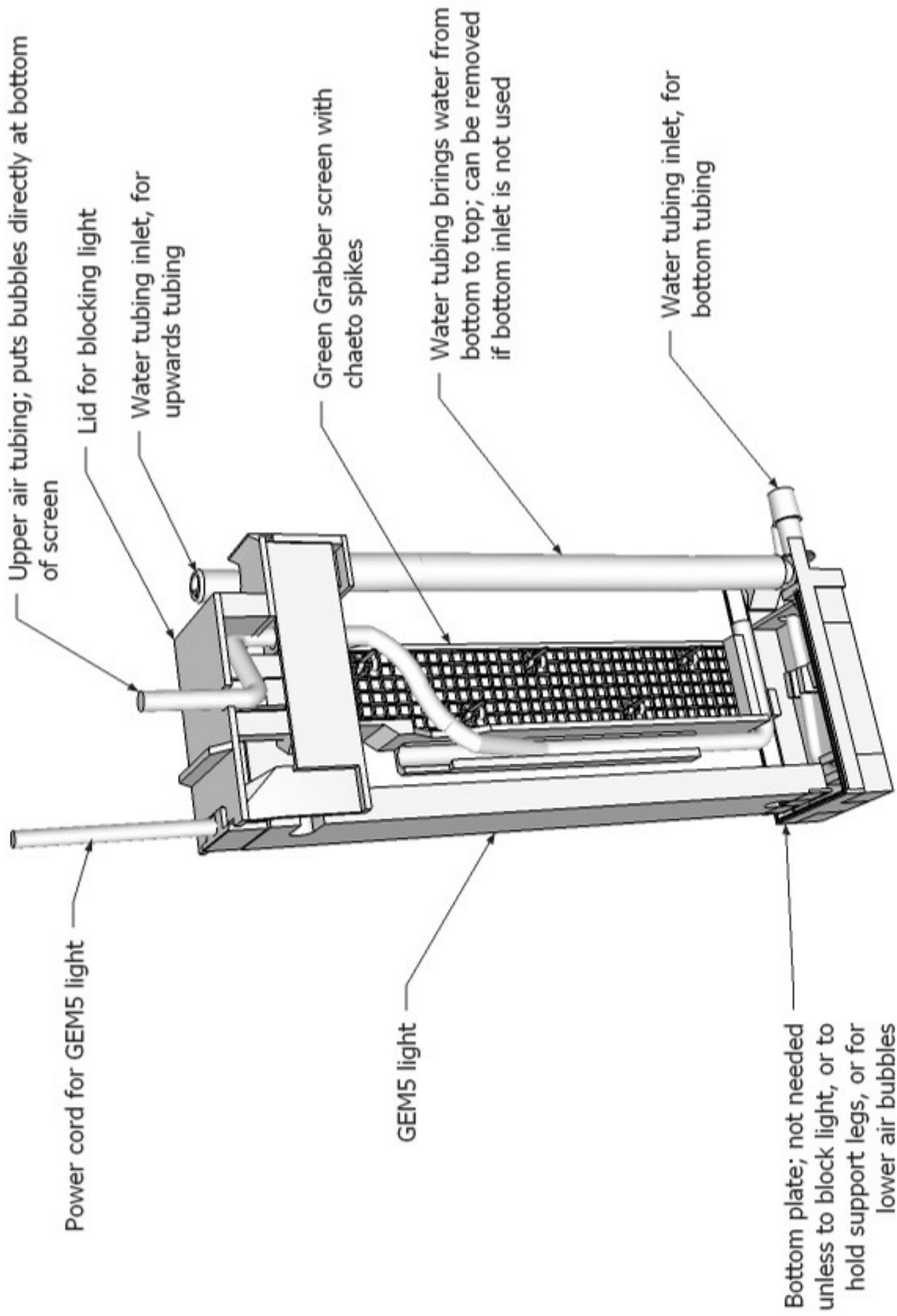
Bottom plate not needed unless to block light, or to hold support legs



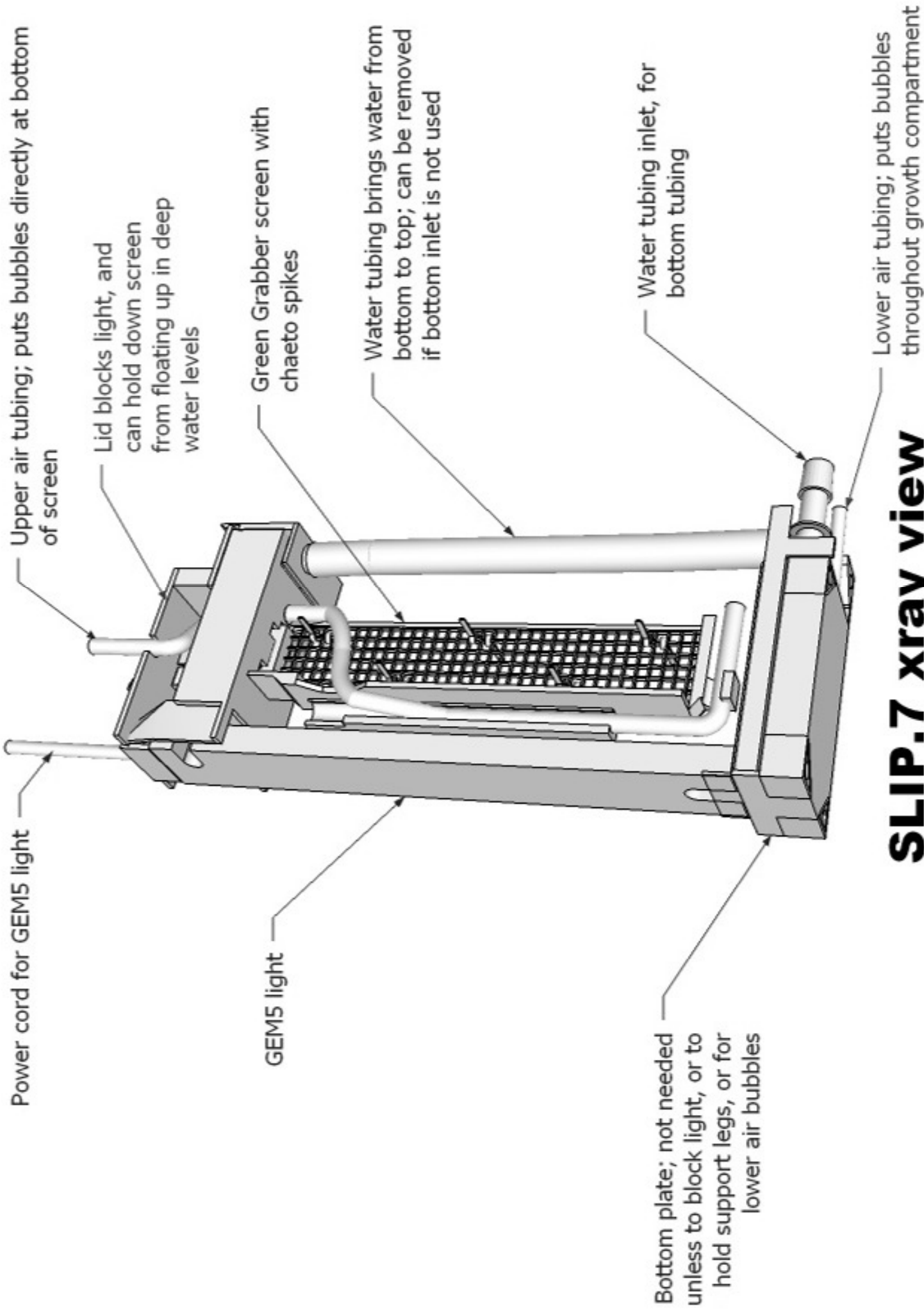
SLIP.7 bubble upflow from screen



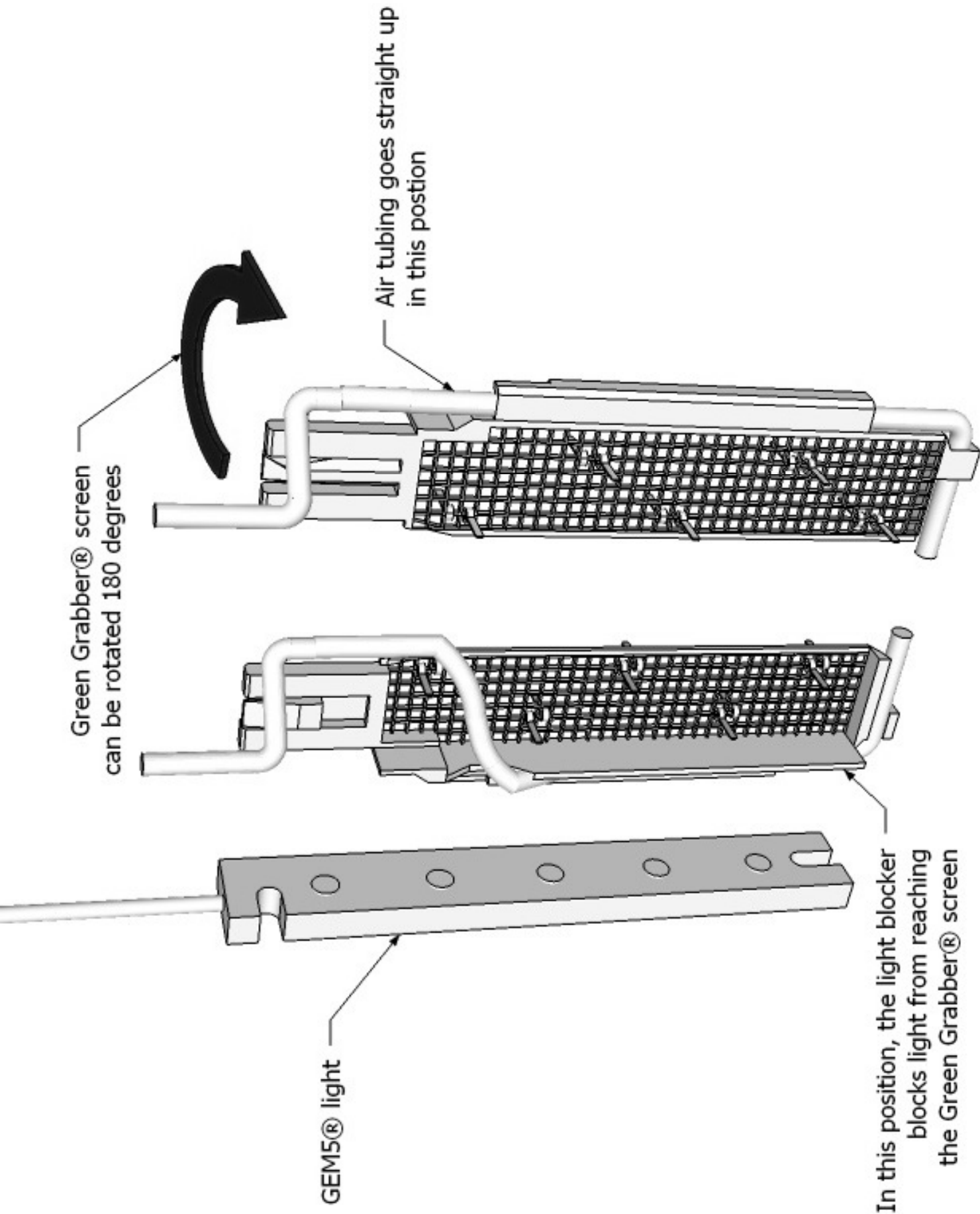
SLIP.7 bubble upflow from bottom plate



SLIP.7 xray view

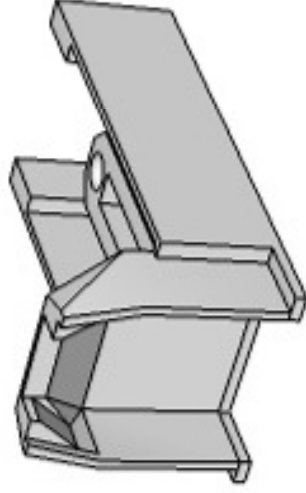


SLIP.7 xray view

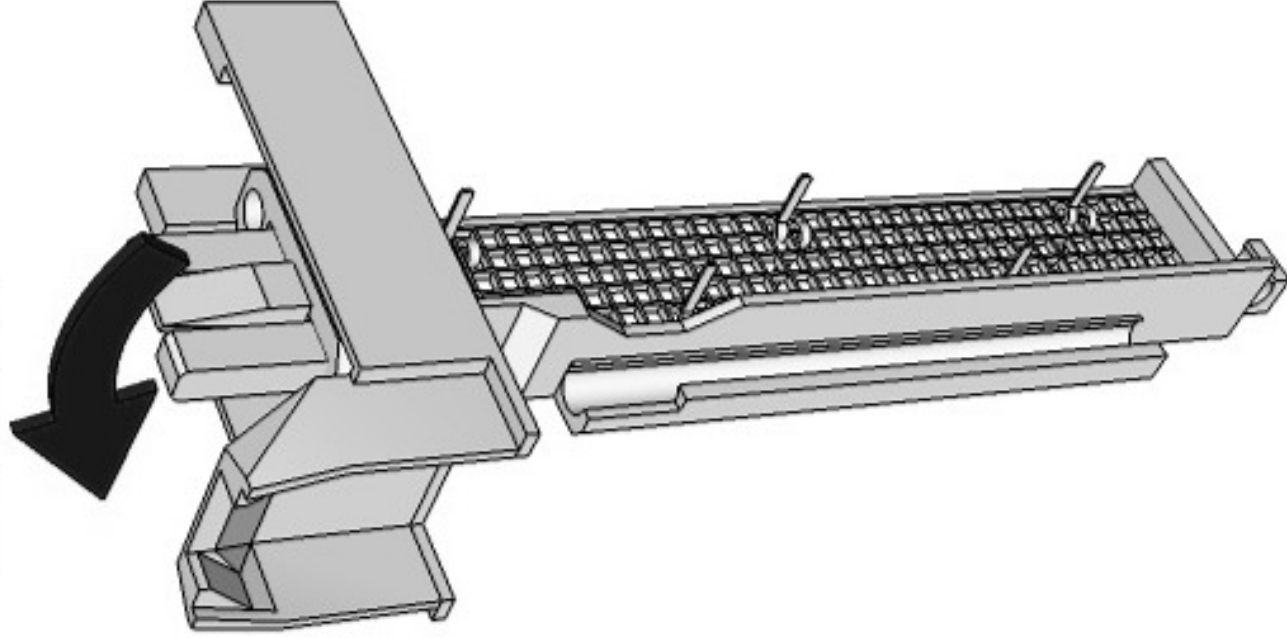


SLIP.7 adjustable screen for high and low light

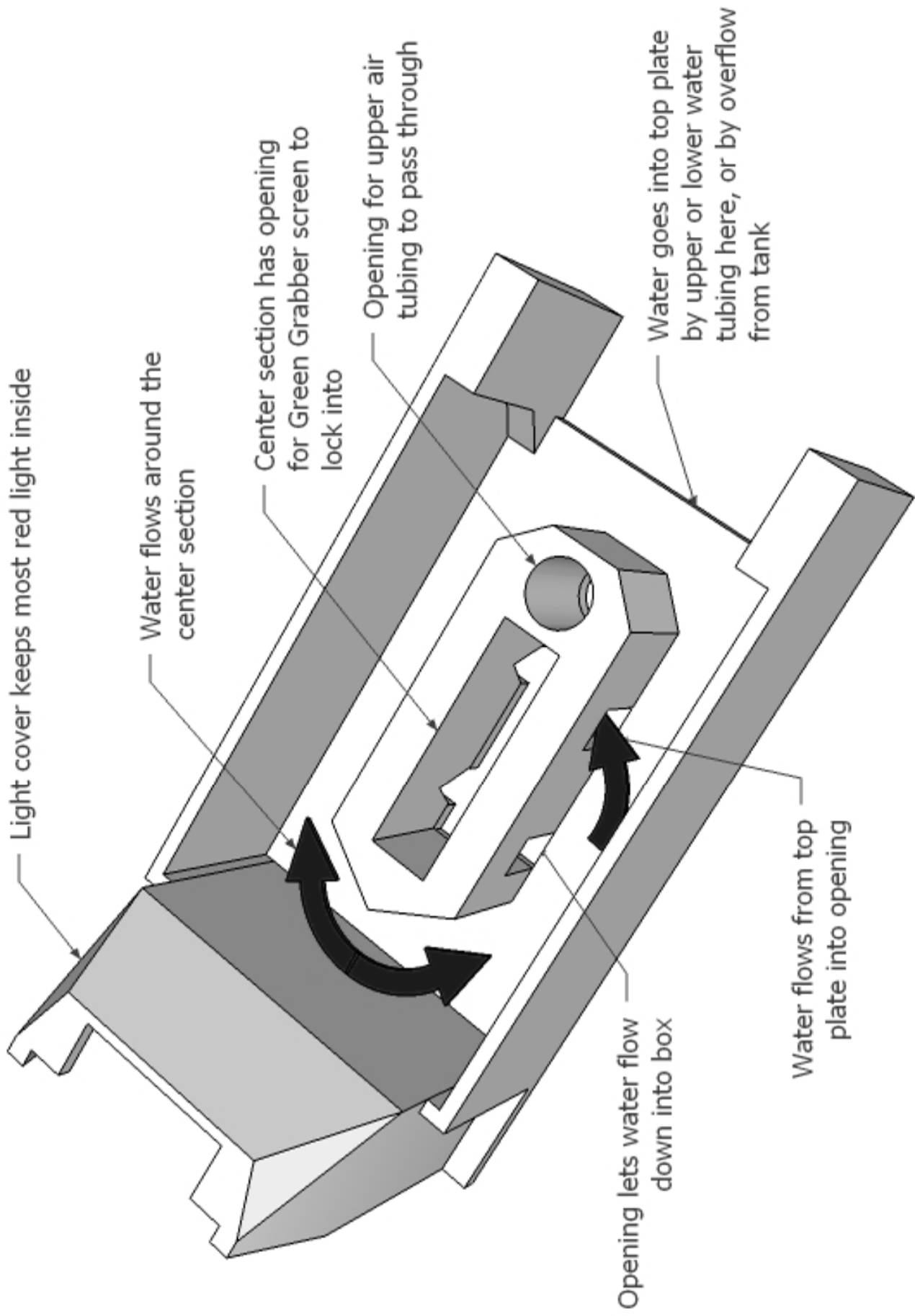
Bend center tab



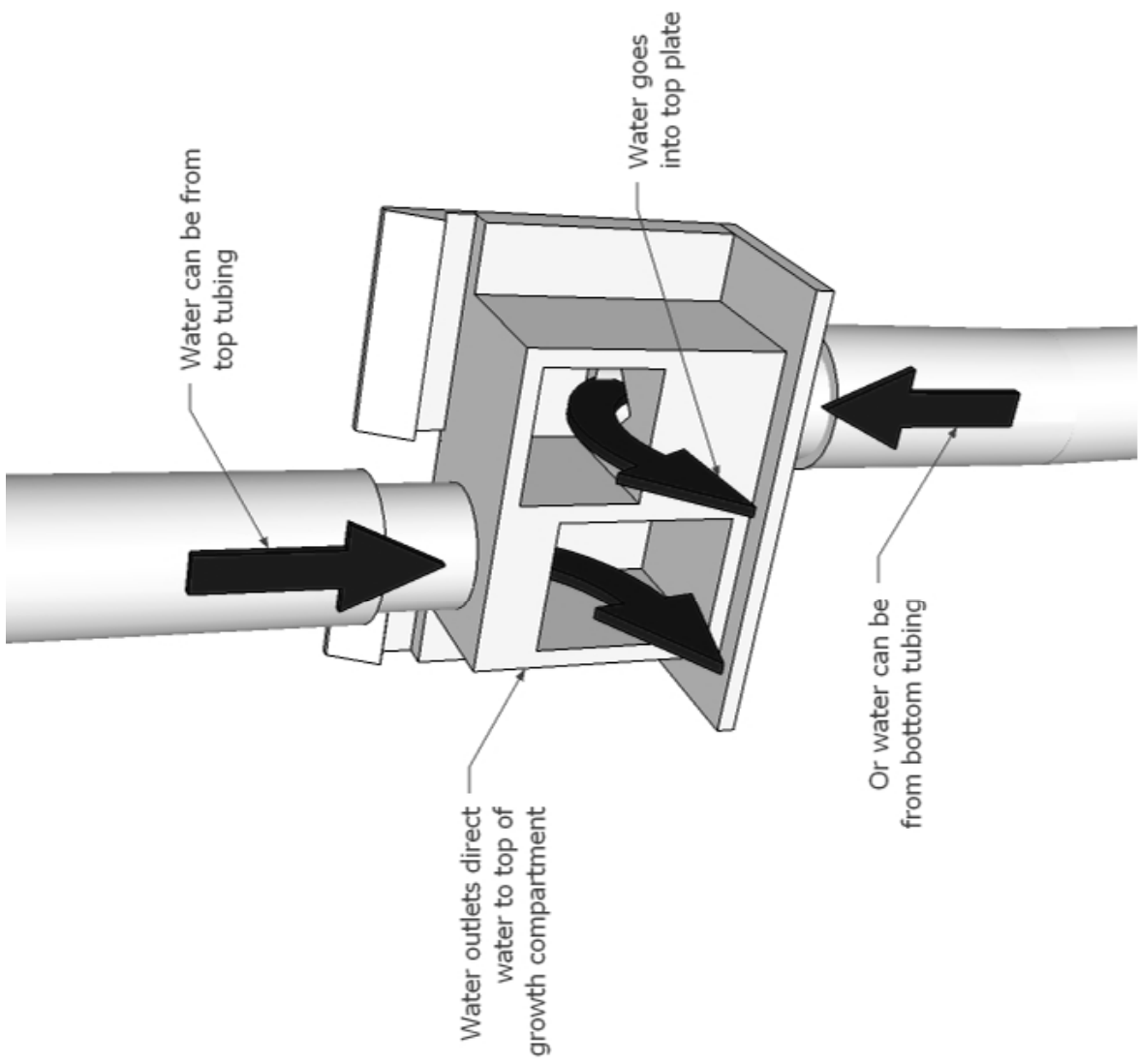
Slide screen out,
rotate, then slide
back in

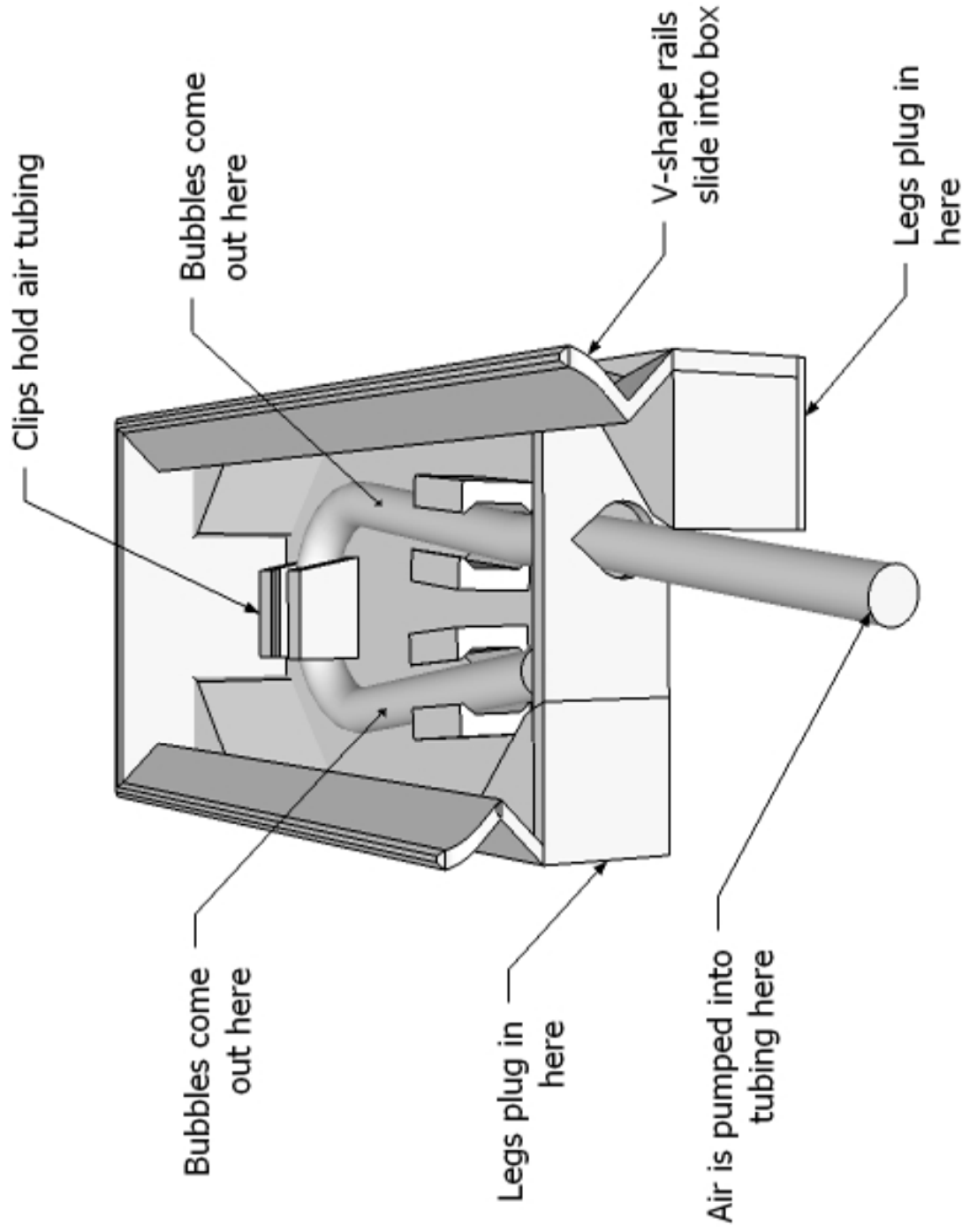


Removable and rotatable GEM5 screen

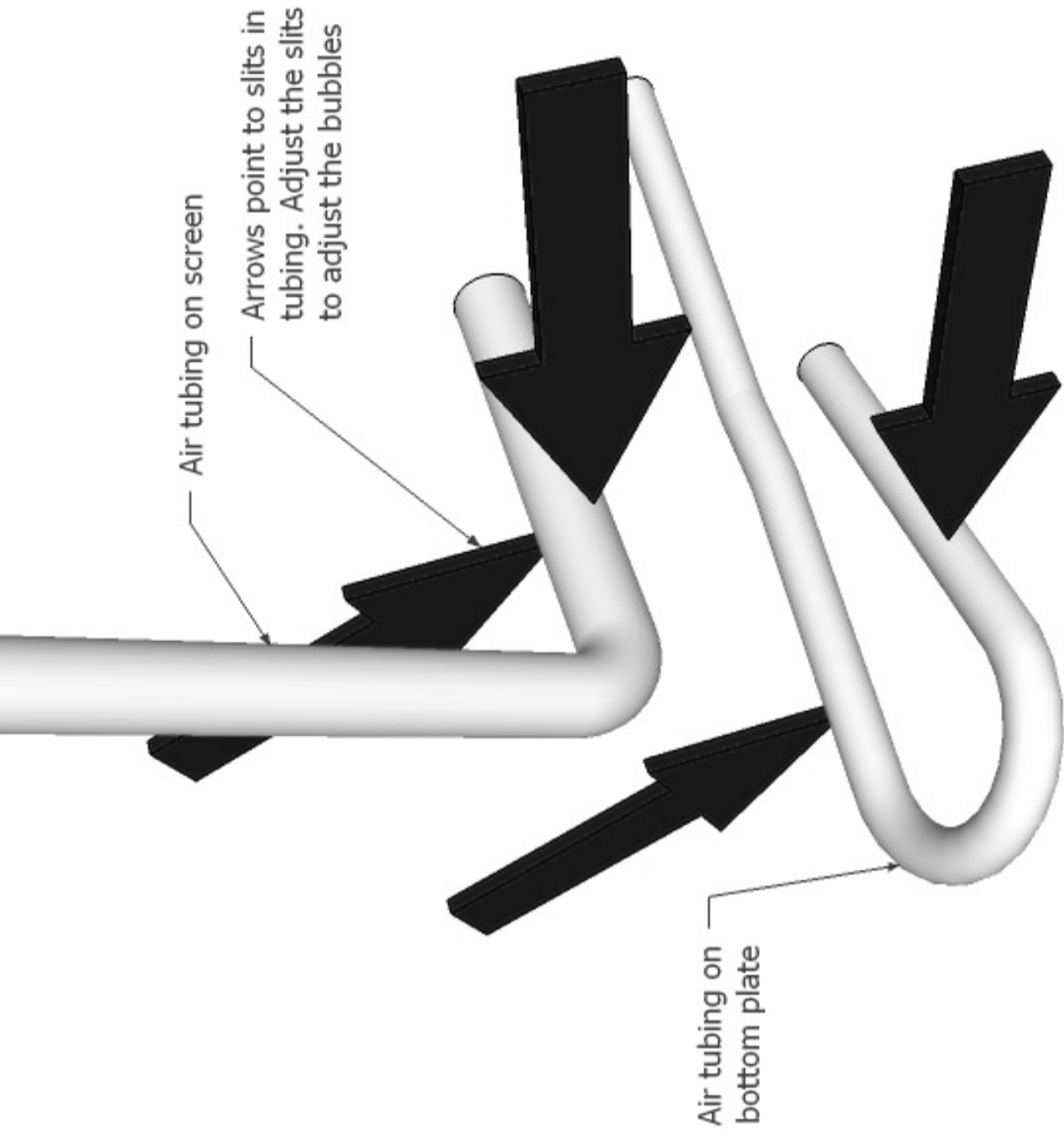


Top plate

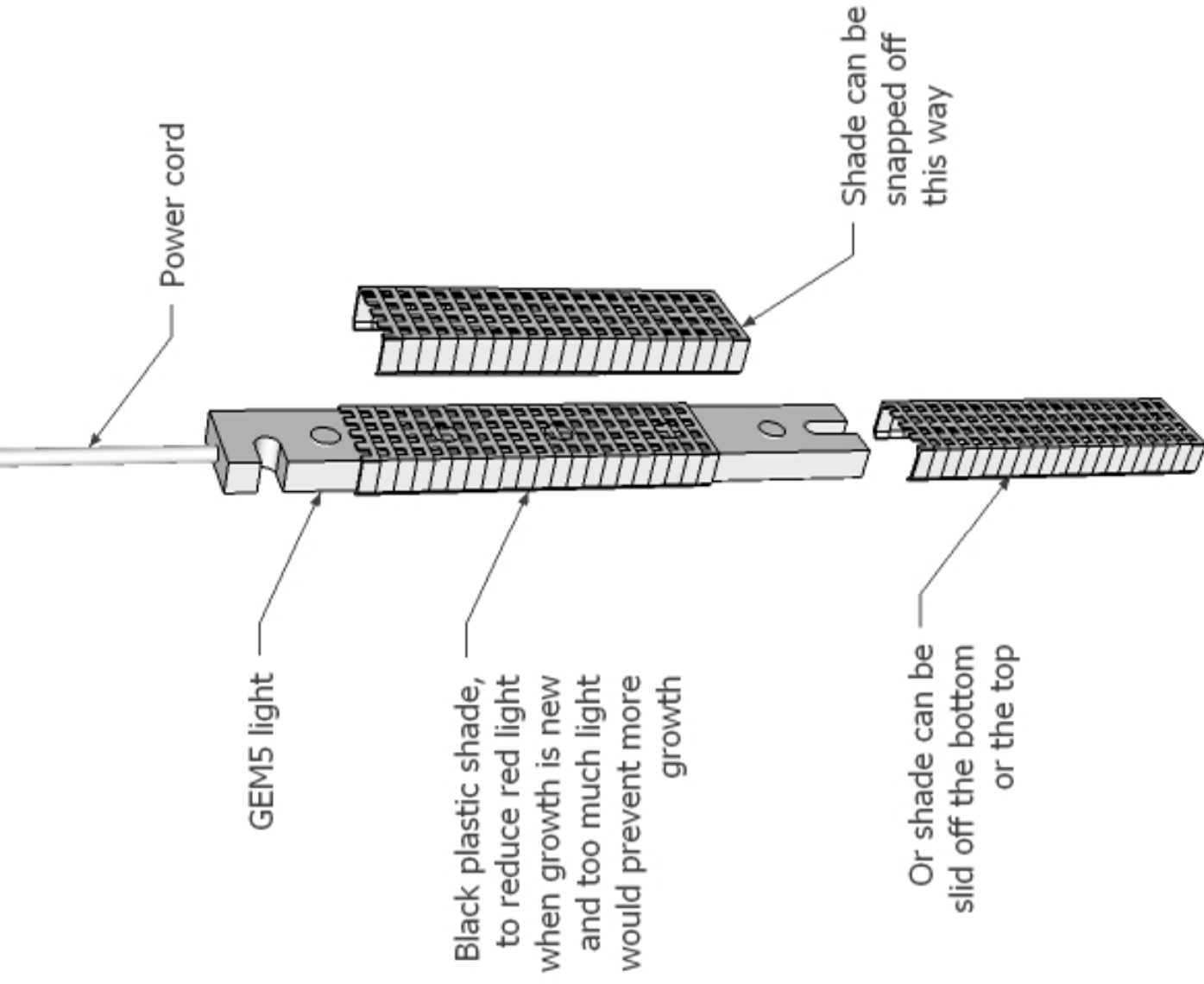




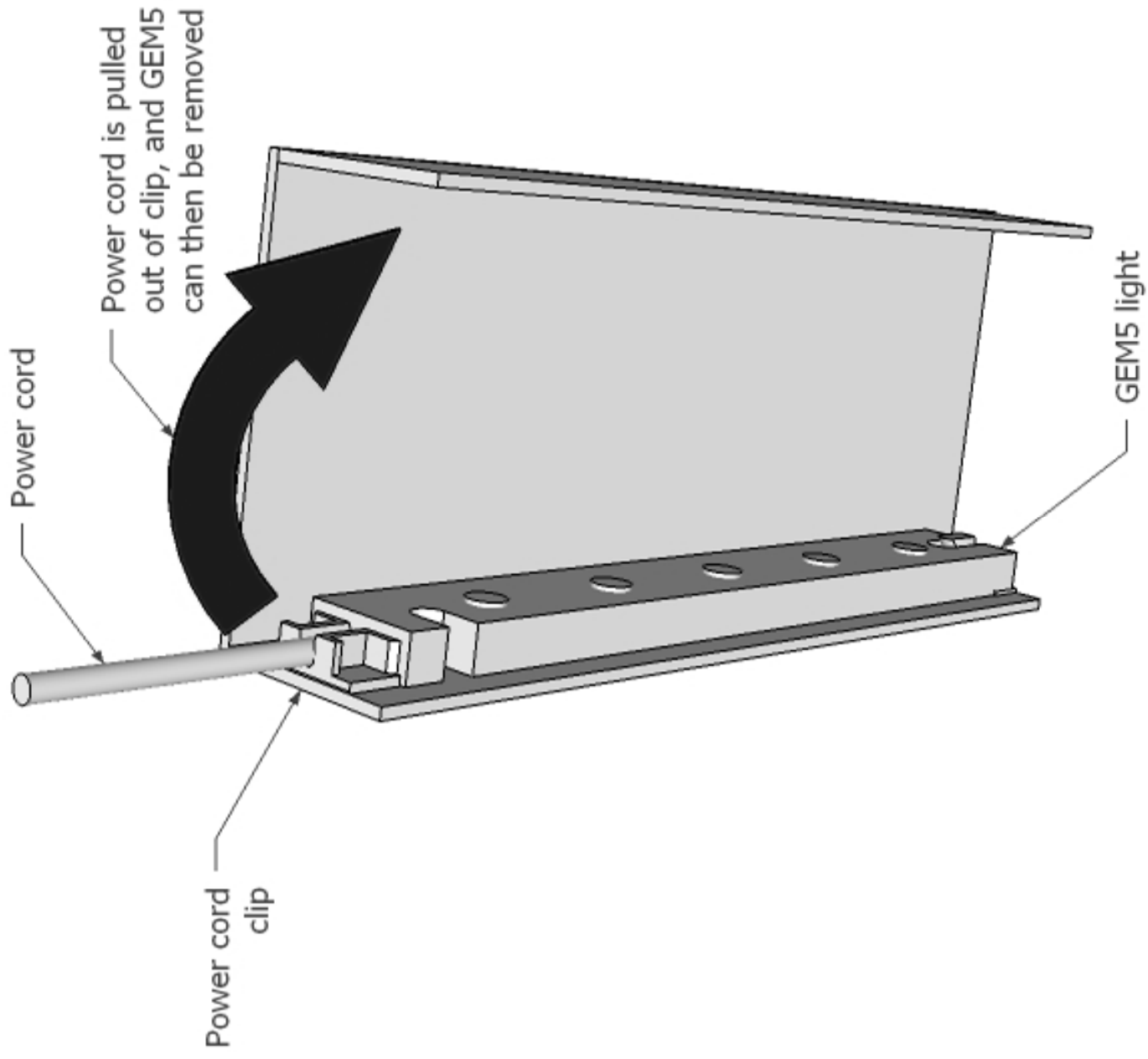
**Bottom plate can be used for bubbles,
or to block light, or to hold legs**



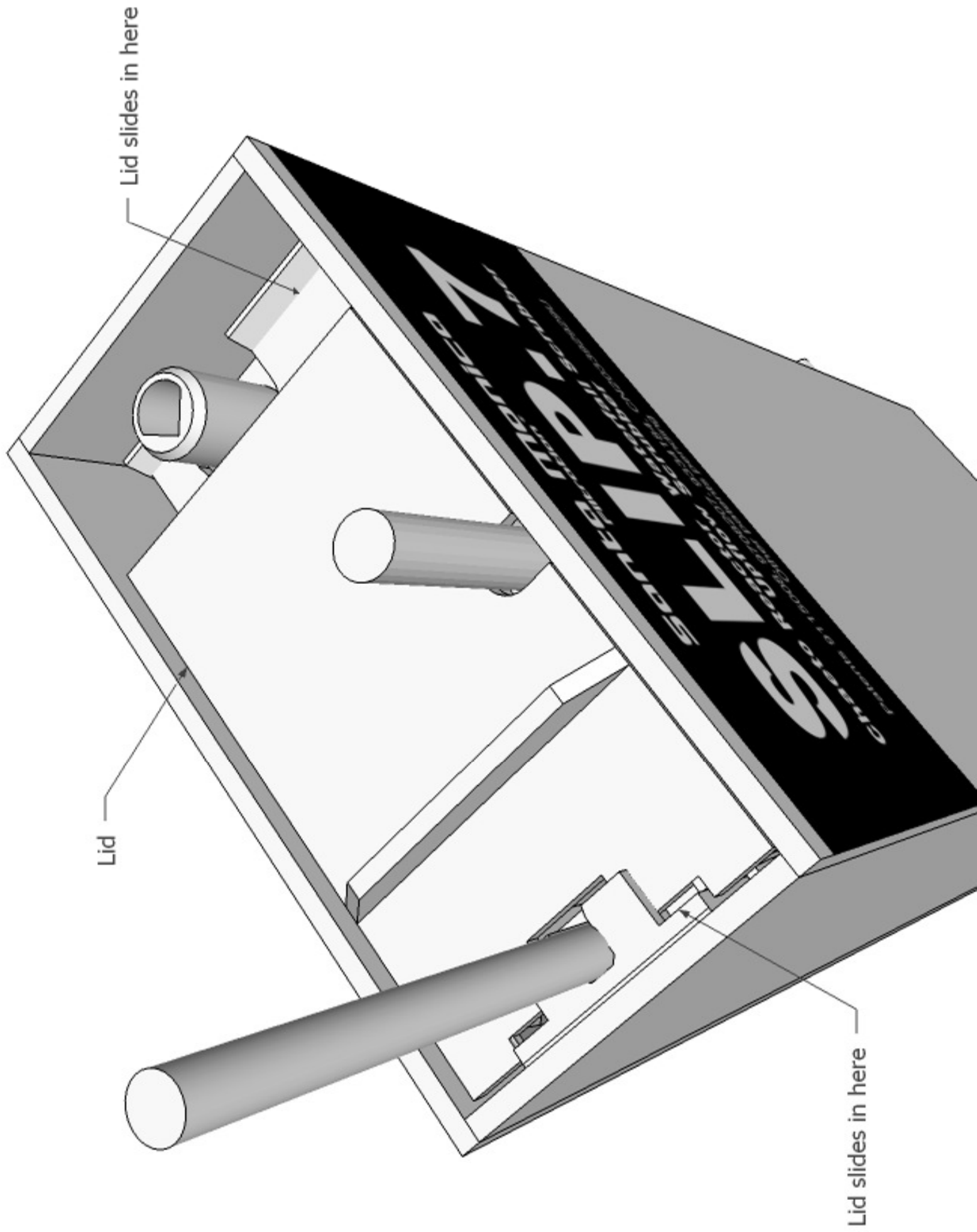
Tiny cuts in the black air tubing allow bubbles to come out



Plastic shade is used to reduce light



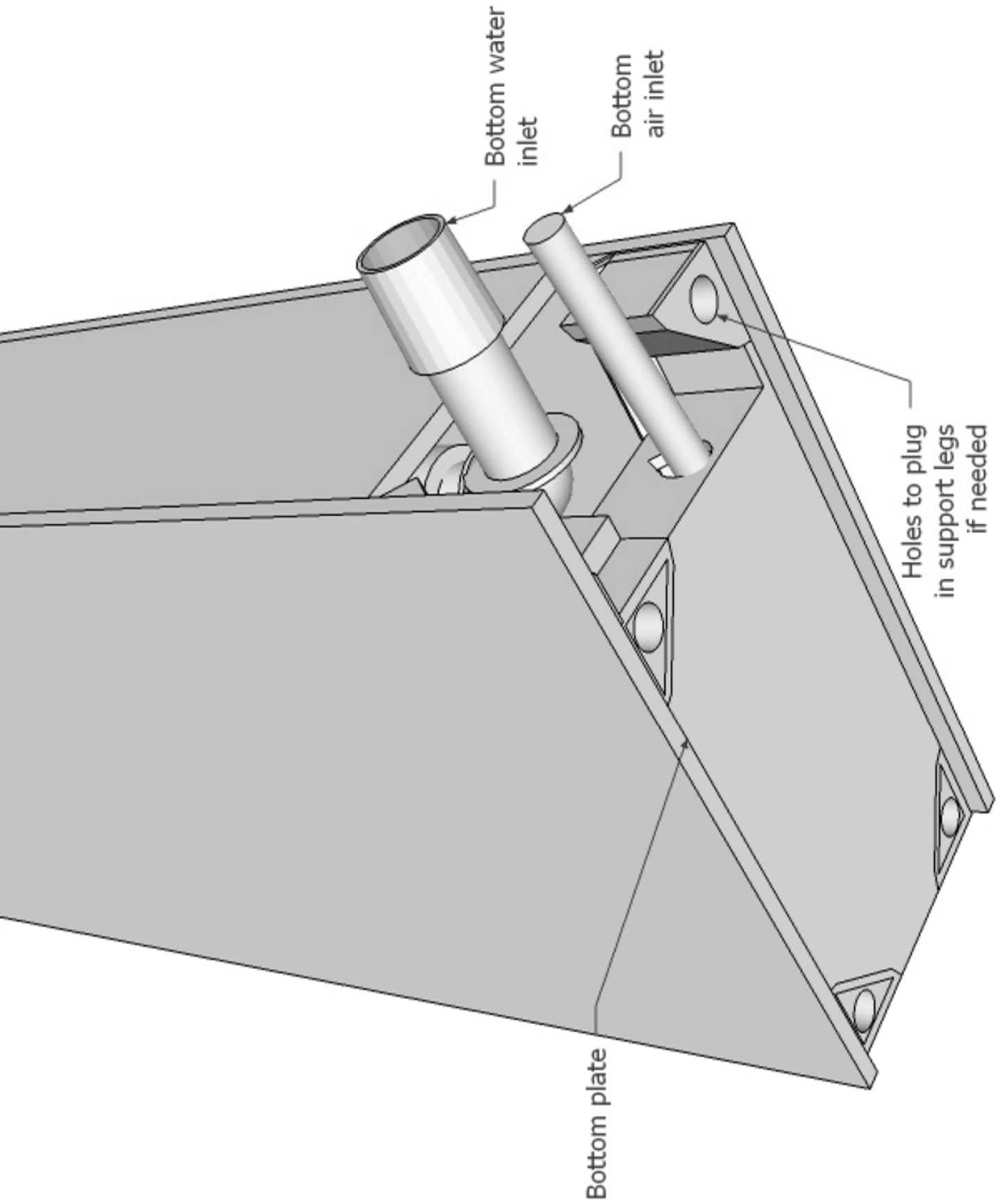
Replaceable GEM5 light



Lid slides in here

Lid

Lid slides in here



Bottom water inlet

Bottom air inlet

Holes to plug in support legs if needed

Bottom plate